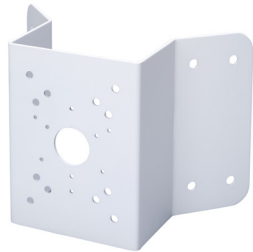


DH-PFA151

Corner Mount Bracket



- Built of SECC.
- Suitable for a variety of cameras and is elegant.



Series Overview

The Mounting Bracket works with front-end services, supporting installation methods such as wall mount, pole mount, corner mount and in-ceiling mount. Select brackets are designed to suit complex scenes, making them convenient to use in environments with high temperatures, humidity, frequent vibrations, and in locations that are highly corrosive. These highly reliable brackets are easy to install and use.

Scene

Ideal for mounting cameras, it works in temperatures ranging from -40°C to $+60^{\circ}\text{C}$ (-40°F to $+140^{\circ}\text{F}$) and in environments with relative humidity of less than 90%.

Technical Specification

Structure

| | |
|----------------------|---|
| Casing Material | SECC |
| Product Dimensions | 243.1 mm × 170.0 mm × 138.0 mm (9.57" × 6.69" × 5.43") (L × W × H) |
| Appearance Color | White |
| Net Weight | 1.70 kg (3.75 lb) |
| Gross Weight | 2.21 kg (4.87 lb) |
| Load bearing | 10.0 kg (22.05 lb) |
| Installation | Corner mount |
| Packaging Dimensions | 261.0 mm × 186.0 mm × 162.0 mm (10.28" × 7.32" × 6.38") (L × W × H) |
| Applicable Model | Please see "Camera Accessories Selection" |

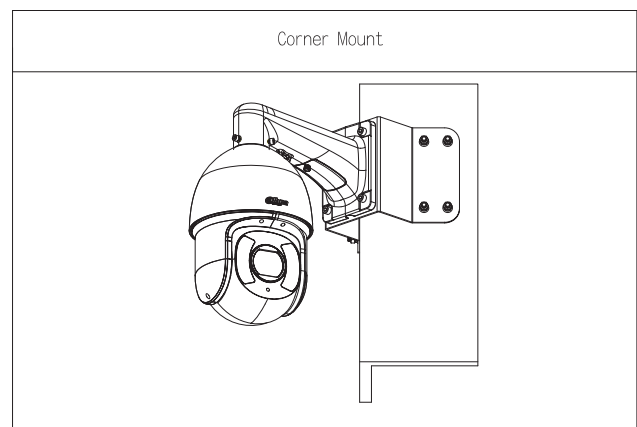
Environment

| | |
|-----------------------|--|
| Operating Temperature | -40°C to $+60^{\circ}\text{C}$ (-40°F to $+140^{\circ}\text{F}$) |
| Operating Humidity | < 90% (RH) |
| Storage Temperature | -40°C to $+60^{\circ}\text{C}$ (-40°F to $+140^{\circ}\text{F}$) |
| Storage Humidity | 10%–90% (RH) |
| Anti-corrosion Level | Basic Protection |

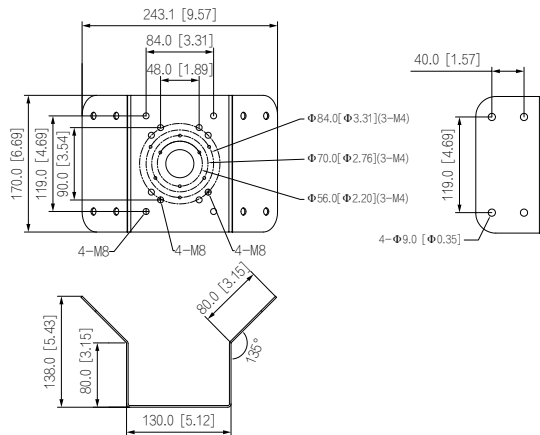
Ordering Information

| Type | Model | Description |
|--------------|-----------|----------------------|
| Camera Mount | DH-PFA151 | Corner Mount Bracket |

Installation



Dimensions (mm[inch])



Package Information

- Corner mount bracket × 1
- M8×25 screw × 4
- M8×80 metal expansion bolt × 4
- S6.0 wrench × 1