

TC-NH6220IE-CP

H.265 2MP 20x Starlight POE IR PTZ

Tiandy

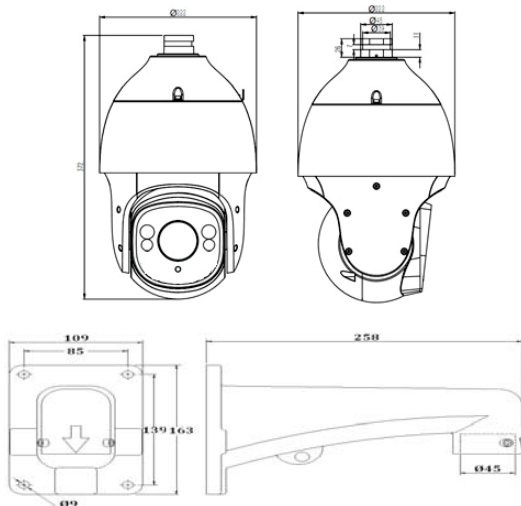
ONVIF



Features

- Ultra Low Light 0.002lux
- H.265 Codec
- Up to 1920X1080 High Resolution
- Smart IR, IR Range: 80~100m
- Speed Max 400°/s, -16~90° Tilt Angle
- Optical Zoom: 20x, Digital Zoom: 16x
- NIR, WDR, 3D DNR, HLC, Dual-ICR, AWB, AGC, BLC
- Triple Streams
- MicroSD Card Slot, up to 128GB
- Tripwire Detection
- Perimeter Detection
- Smart Defog
- TVS 6000V, Lightning/Surge 4000V Protection
- Temperature: -40°C~70°C, POE+
- CE, FCC

Dimensions



Dimensions(Optional)

Model: DF20

DF21



Camera	
Image Sensor	1/2.8" Sony Exmor CMOS
Effective Pixels	1920(H)x1080(V)
Signal System	PAL/NTSC
Minimum Illumination	Color: 0.002 Lux @(F1.5,AGC ON) Black&White:0.001Lux @(F1.5,AGC ON) / 0 Lux with IR
White Balance	Auto/ ATW/ Manual
AGC	Auto/ Manual
S/N Ratio	≥ 55dB
BLC	Y
HLC	Y
Smart Defog	Y
WDR	100dB
Digital Noise Reduction	3D DNR
Exposure Mode	Auto/ Manual/ Iris First/ Shutter First
Shutter Time	1/1s -1/100000s
Day& Night	Dual-ICR
Optical Zoom	20x
Digital Zoom	16x
Privacy Masking	24 Dynamic Privacy Masks Programmable; Optional Multiple Colors
Picture Overlay	200 × 200, BMP 24bit, Zone Configurable
OSD	16×16,32×32,24×24,48×48,64×64,96×96 Character Size Time/Date/Week/Character Superposition in 5 Regions PTZ Angle Superposition
Lens	
Focal Length	5.2mm ~8mm
Zoom Speed	Approx.<4s(Optical Wide-Tele)
Angle of View	55.8°(w)~3.2°(t)
Aperture Range	F1.5-F3.0
Pan & Tilt	
Pan Range	360° Endless
Pan Speed	Pan Manual Speed: 0.1° -180°/s Pan Preset Speed: 400°/s
Preset Accuracy	±0.2°
Tilt Range	-16°-90° (Auto Flip)
Tilt Speed	Tilt Manual Speed: 0.1°-120°/s Tilt Preset Speed: 180°/s
Proportional Zoom	Rotation Speed Can Be Adjusted Automatically According to Zoom Multiples
3D Position	Y
Number of Preset	500
Scan	8
Cruise	8, up to 32 Presets per Cruise
Pattern	8, Each One With 600s Memory or 300 Orders
Power Loss Recovery	Y
Guard Action	Preset/ Cruise/ Pattern/ Scan
PTZ Position Display	Y
RS-485 Protocols	PTZ_PELCO_D, PTZ_PELCO_P, PTZ_TC615_P, DOME_PELCO_D, DOME_PELCO_P, DOME_PLUS
Infrared	
IR Irradiation Distance	80~100m
IR Irradiation Angle	Adjustable by Zoom
Interface	
Audio Input	1-ch Mc in(Line in Interface) / Line Input 2-2.4V[p-p]; Output Impedance 1KΩ, ±10%
Audio Output	1-ch Line level, Impedance: 600Ω
Communication Interface	1-ch RJ45 10M/100M Ethernet Interface and
Alarm Input	1-ch
Alarm Output	1-ch
On-board Storage	MicroSD Card Slot, up to 128GB
BNC Output & RS485	N/A
Extension	N/A
Network	
Ethernet	10Base-T/100Base-TX RJ45 Connector
Max. Image Resolution	1920×1080
Main Stream	1920×1080@25/30fps; 1280×960@25/30fps; 1280×720@25/30fps; 1280×720@50/60fps 704×576@25/30fps; 704×480@50/60fps
Sub Stream	704×576@25fps/704×480@30fps 352×288@25fps/352×240@30fps 176×144@25fps/176×120@30fps
Third Stream	352×288@25fps/352×240@30fps
Image Compression	H.265/MJPEG/H.264 Encoding with Baseline/Main/High Profile
ROI Encoding	7 Dynamic Areas for Both Main and Sub Stream
Audio Compression	G711A/G711U/ADPCM/AAC
Protocols	TC/UDP/HTTP/MULTICAST/UPnP/DHCP/PPPoE/DDNS/NFS/FTP/NTP/RTSP/IP6/SNMP/SMTP
No. of Simultaneous Users	2 Users Access at the Same Time
User/Host Level	Up to 32 Users, 4 Levels
Web Browser	IE8, IE9, IE10, Chrome8+ Firefox3.5+
System Compatibility	ONVIF (Profile S), SDK, CGI
Advance	
Video Analytics	Tripwire, Perimeter, Counting, Loitering/Crowd/Parking Detection, Missing/Foreign Object/Motion Detection
Intelligent Alarm	Cover Alarm, Port Alarm, Network Disable Alarm, IP Conflict, MAC Conflict Detection
General	
Language	English, Spanish, Korean, Italian, Turkish, Thai, Russian, Traditional Chinese.
Operating Conditions	-40°C~70°C, 0 ~ 95% RHG
Power Supply	DC12V, POE+
Power Consumption	12.05W(IR OFF)/21.18W(IR ON)
Circuit Protection	TVS 6000V, Lightning/ Surge 4000V Protection
Impact Protection	IP66
Wiper	N/A
IR LEDs	4pcs
Dimensions	372mm×222mm×222mm
Weight	5KG (IP PTZ Only), 8.45KG (with Packing Box)

* The latest product information / specification can be found at <http://en.tiandy.com/>

